

ZAYER



THERA

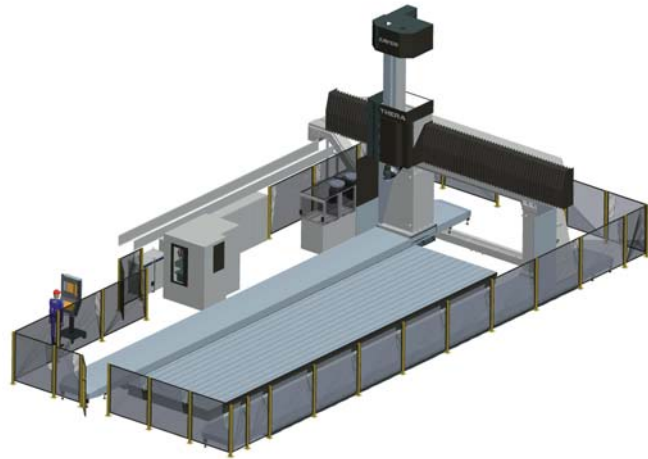
Gantry

CNC Milling
Machines and
Milling Centres

ZAYER has introduced the latest technologies in the development of the new model **THERA** improving its dynamic behavior without losing rigidity and reliability features that define the brand ZAYER, being leaders in volumetric accuracy and machining.

The **THERA** model allows to provide the machine with a wide range of accessories with ergonomic and efficient solutions.

The sustainability and environmental requirements have been taken into account for its development, which allows to reduce the emission and consumption both in the manufacturing and during the operation.



Technical specifications

THERA

Table length	mm	3.500 - 20.500
Table width	mm	2.000 (3.000 - 4.000)*
Distance between columns	mm	3.000 (4.000 - 5.000)*
Longitudinal travel	mm	3.000 - 20.000
Cross travel	mm	3.750 (4.750 - 5.750)*
Vertical travel	mm	1.250 (1.500)*
Max. distance from table to spindle nose	mm	1.465 (1.715)*
Rapid feed	mm/min	X: 20.000 / Y-Z: 50.000
Working feed	mm/min	Up to 20.000
Drives of X, Y, Z axis		X: R Y: R Z: B
B= Ball screw R= Rack		
Power	kW	43
Speed of the spindle head	min ⁻¹	6.000
Positioning and repeatability accuracy	mm	0,010 / 4.000 0,005 / 4.000
Tool magazine		30 (40-60-80-100-120)*
Allowed weight on the table	kg	15.000 /m ²

(Optional) *

Accessories

THERA

Heads	
45° automatic head 360.000 pos. 0,001°	●
Direct outlet head	○
"L" shaped head	○
Extended "L" shaped head	○
TWIST head	○
Movable quill	—
Change of heads	●
Chip conveyor	●
Coolant tank	1.000 l - 30 l/min - 15 bar 60 l/min - 5 bar

● Standard ○ Optional — Not available

Heads



45° Automatic



"L" shaped head



Extended "L" shaped head with automatic change of tool



Direct outlet



TWIST



TWIST High speed with electrospindle

Head office
Pol. Ind. Betoño
Portal de Bergara, 7
01013 VITORIA-GASTEIZ
Spain
Tel.: +34 945 26 28 00
Fax: +34 945 28 66 47
zayer@zayer.es

www.zayer.com

More information at www.zayer.com